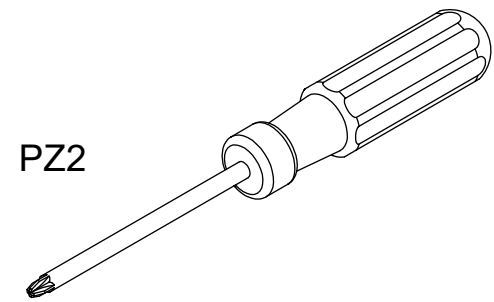




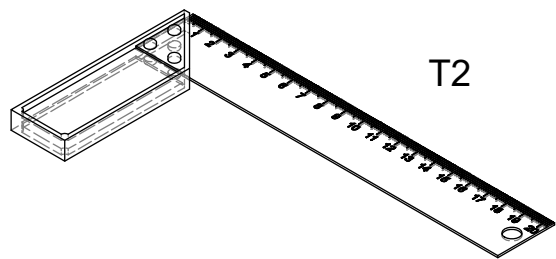
**KEEP**  
byhammel

**M50**

**Skuffer / Drawers /  
Schubladen / Tiroirs**

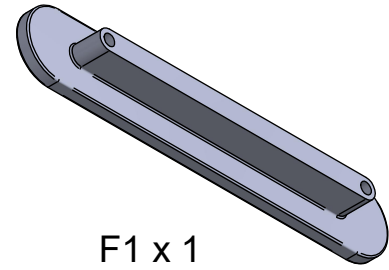


PZ2

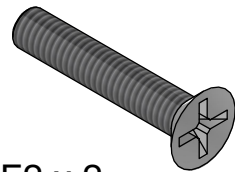


T2

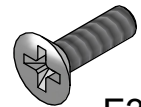
50021 - P1/4



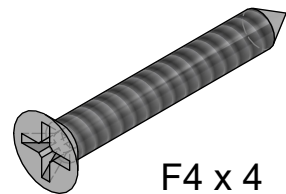
F1 x 1  
(4005361)



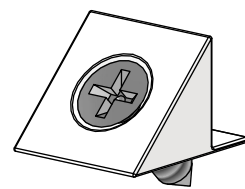
F2 x 2  
(6704422)



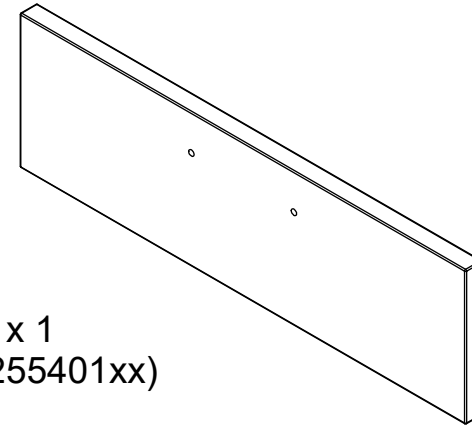
F3 x 4  
(6700502)



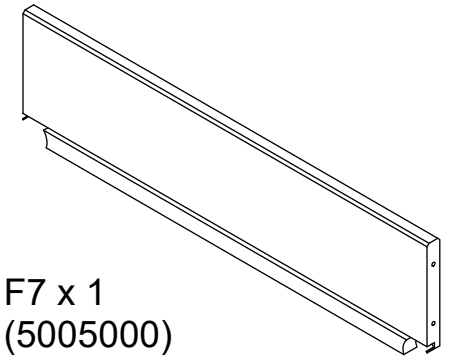
F4 x 4  
(6500330)



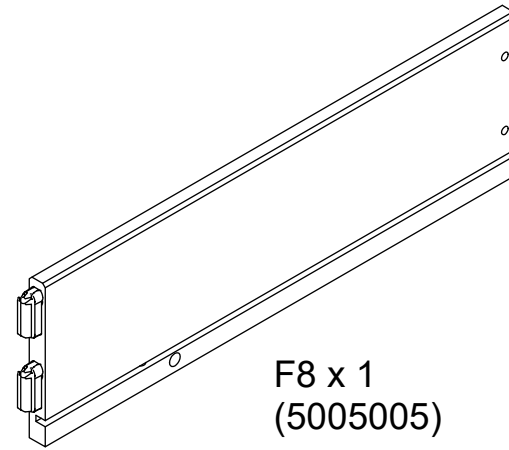
F5 x 4  
(6201020)



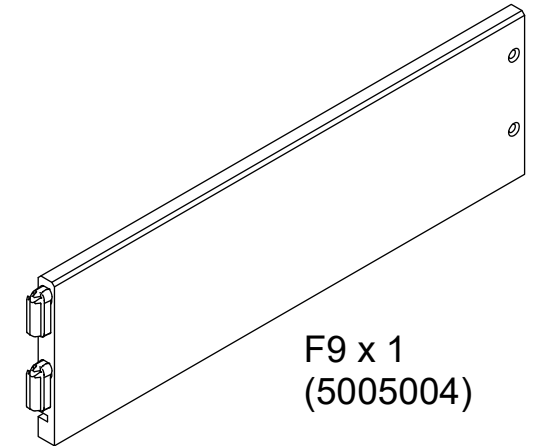
F6 x 1  
(2255401xx)



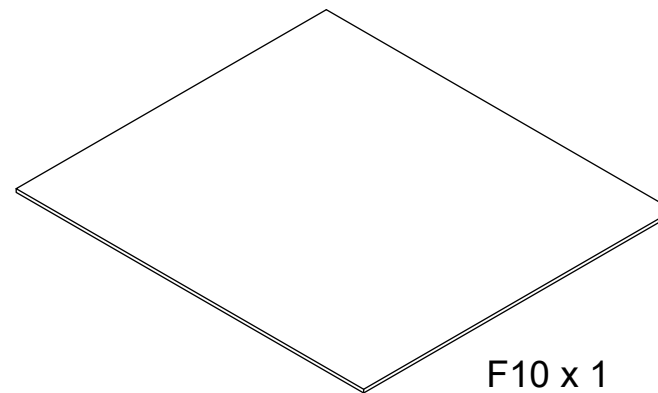
F7 x 1  
(5005000)



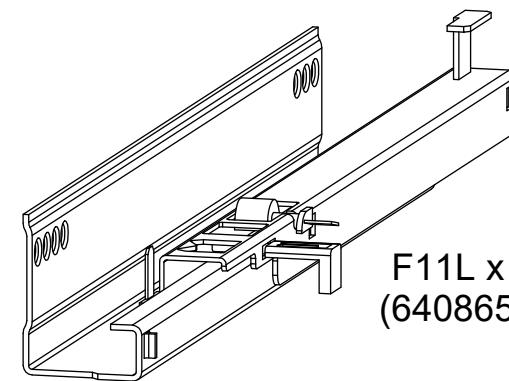
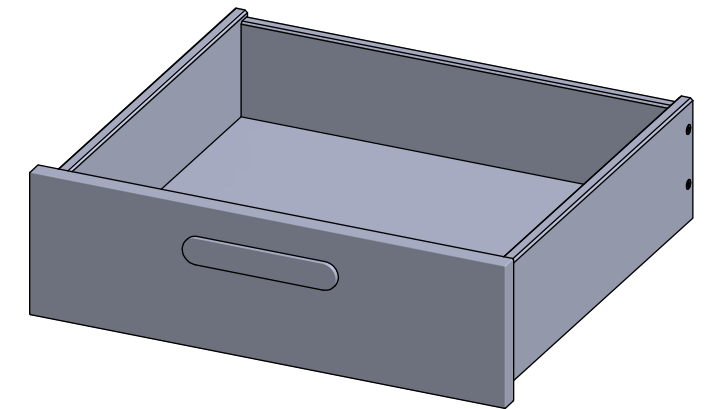
F8 x 1  
(5005005)



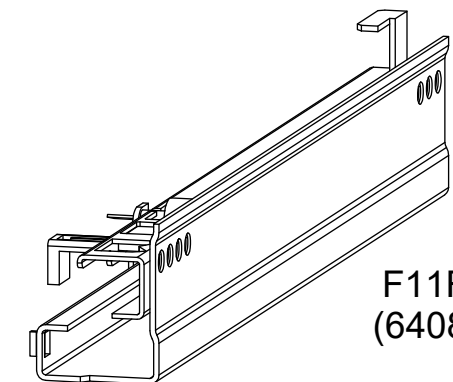
F9 x 1  
(5005004)



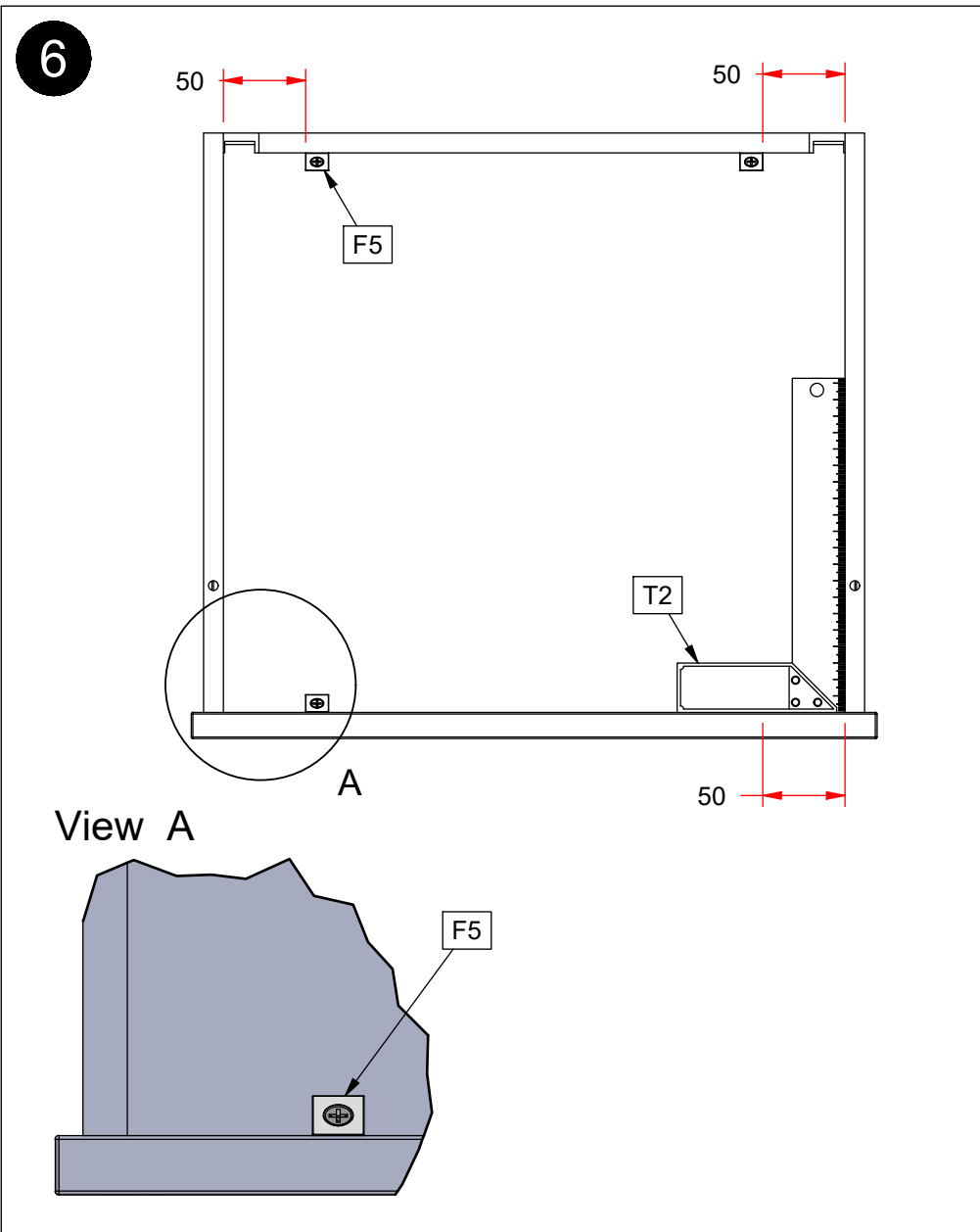
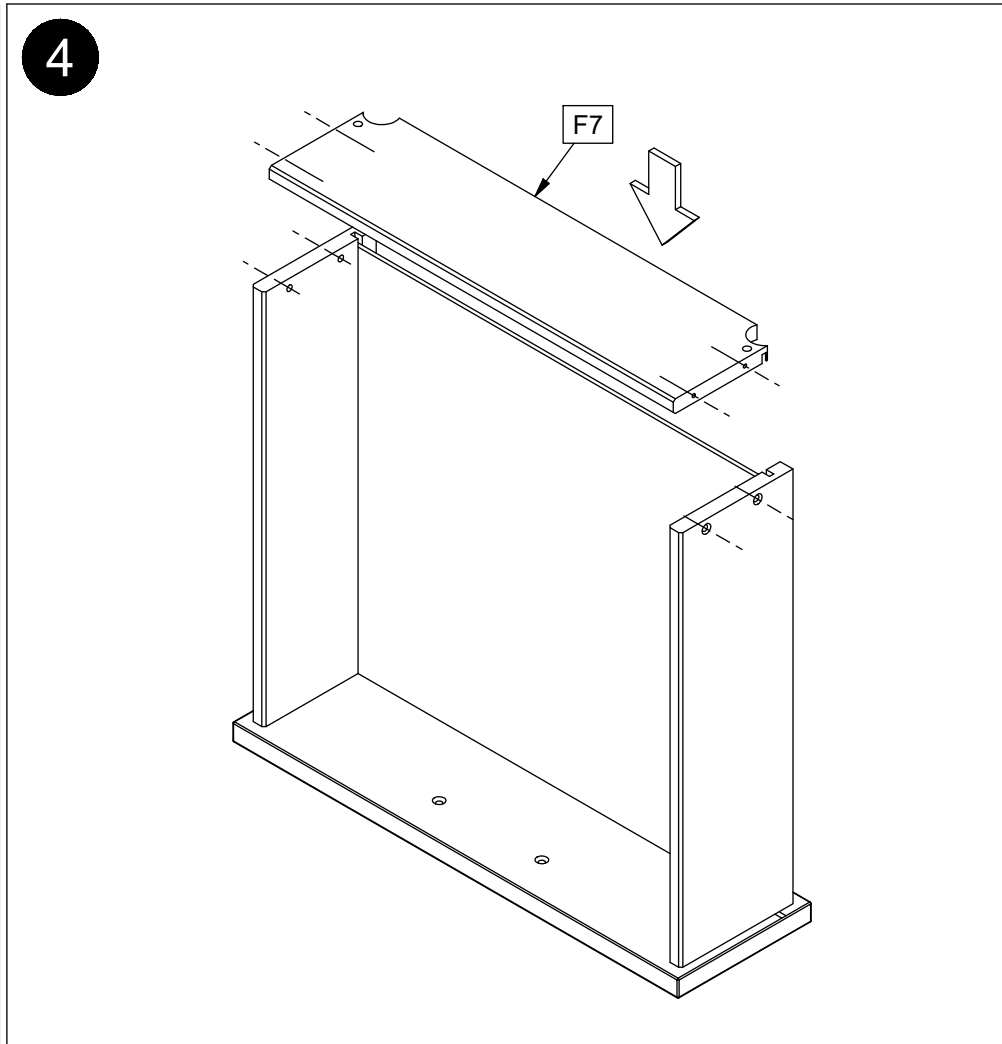
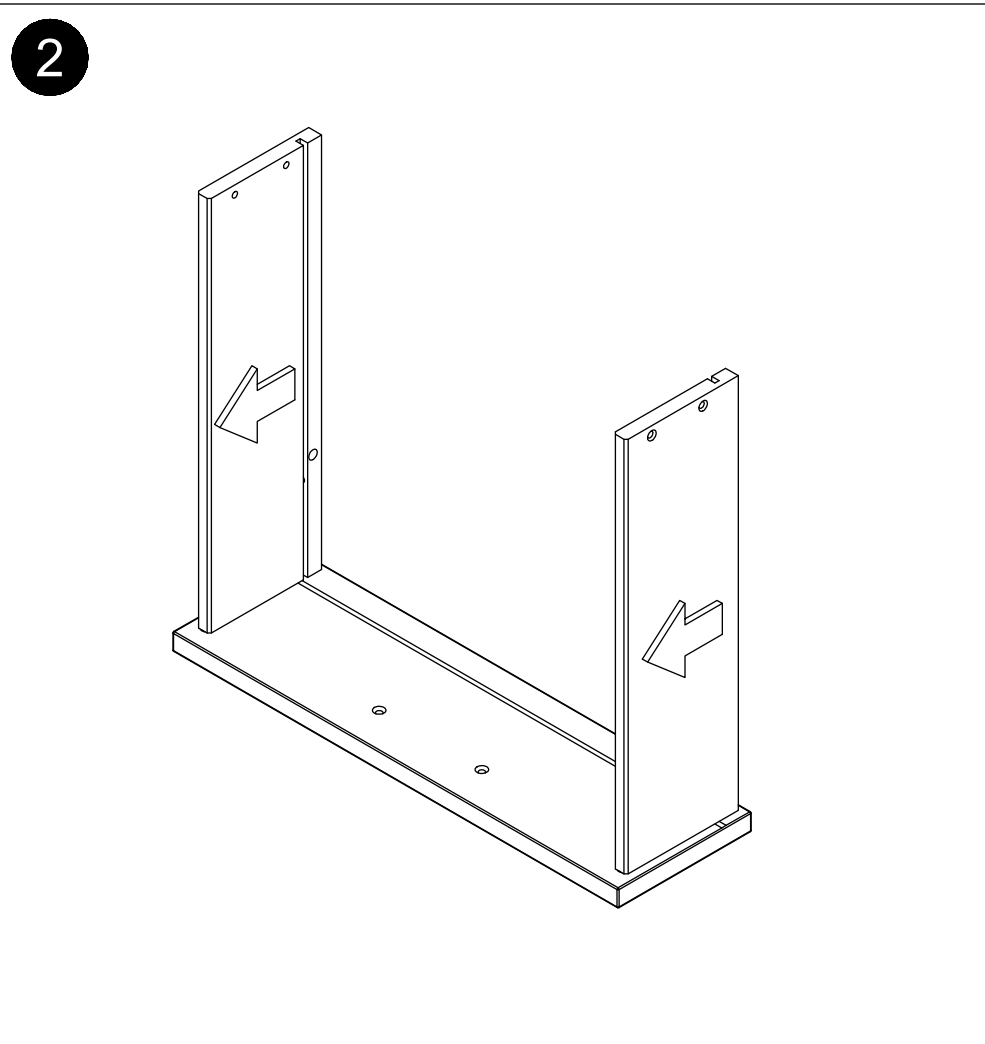
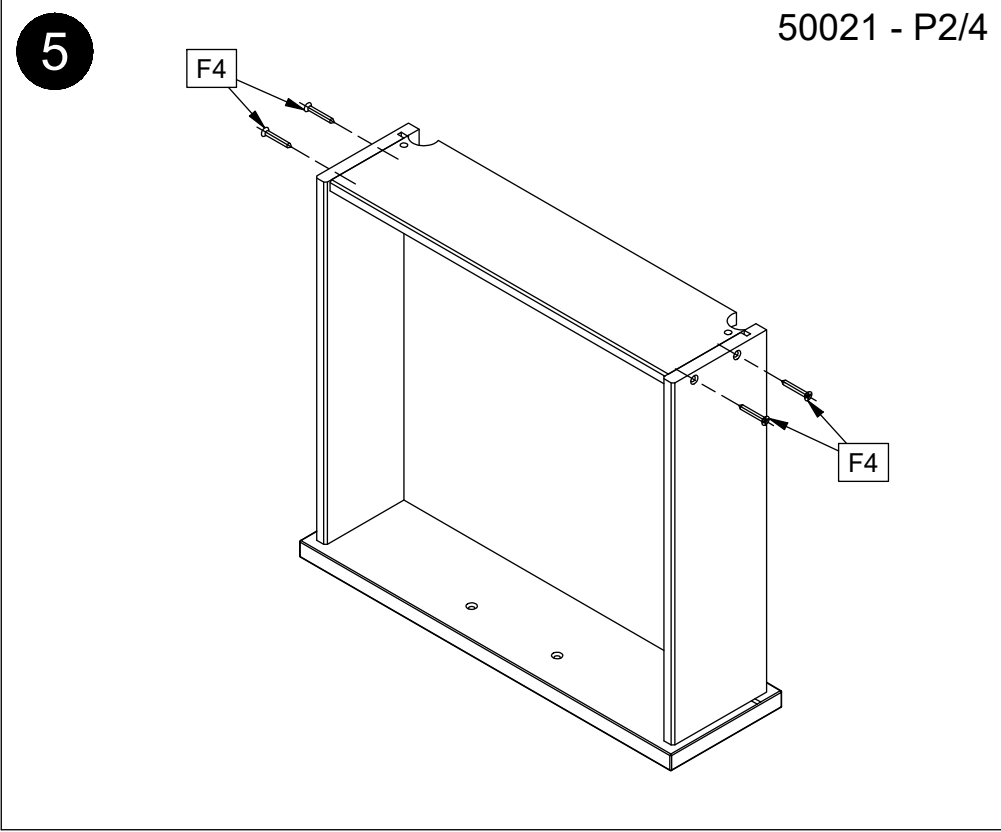
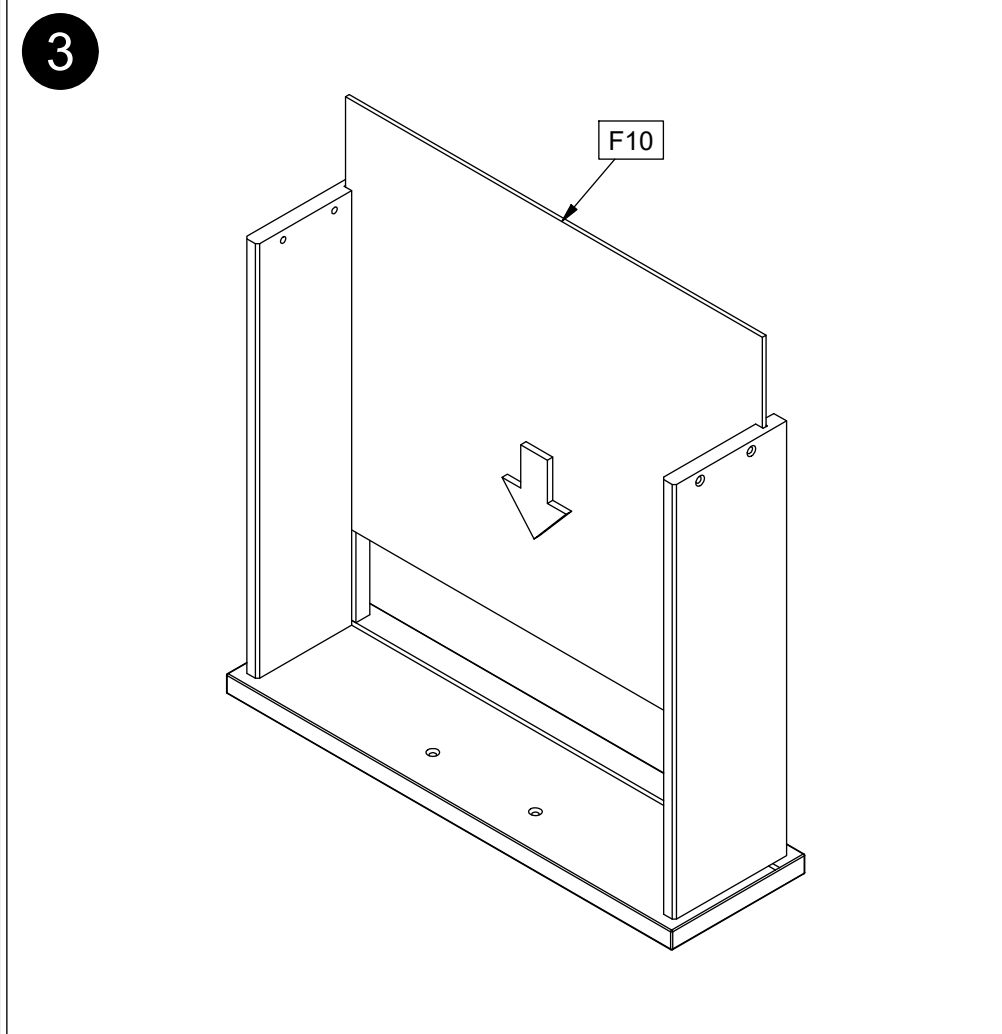
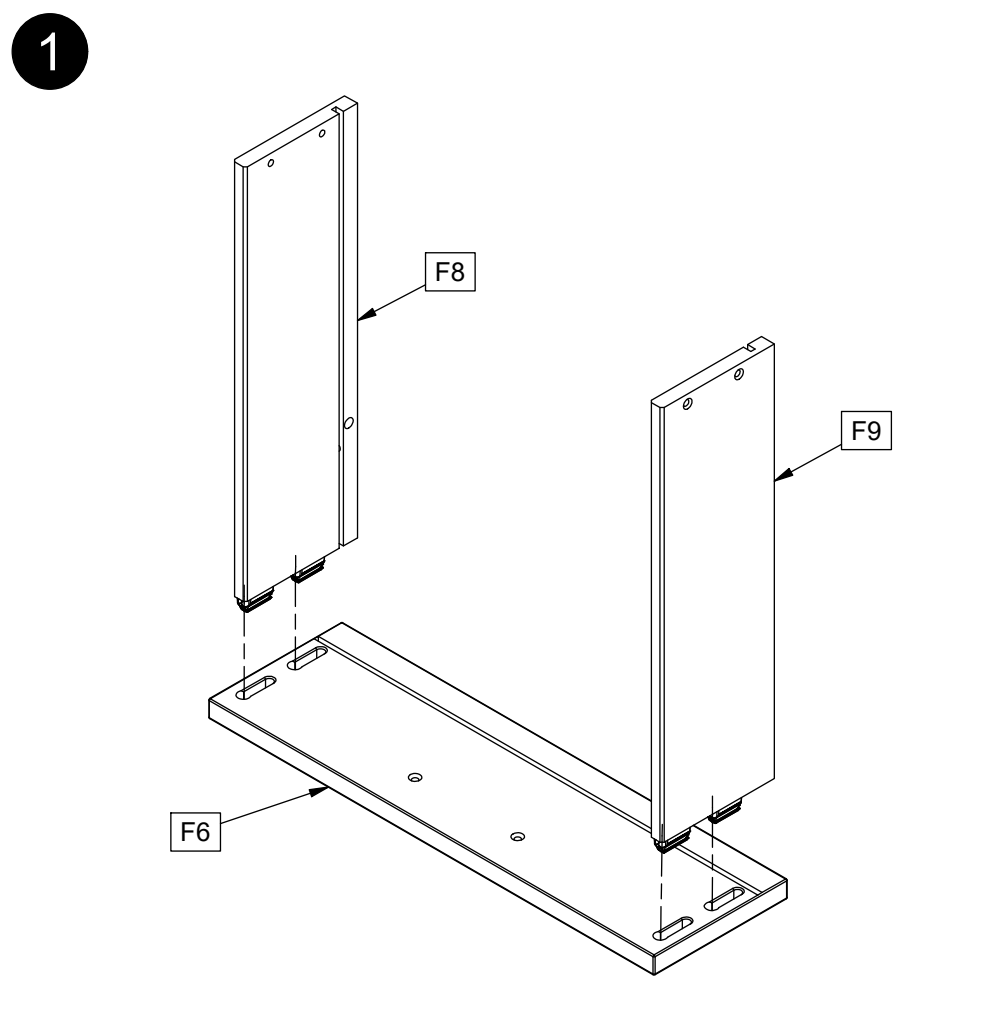
F10 x 1  
(1503211)



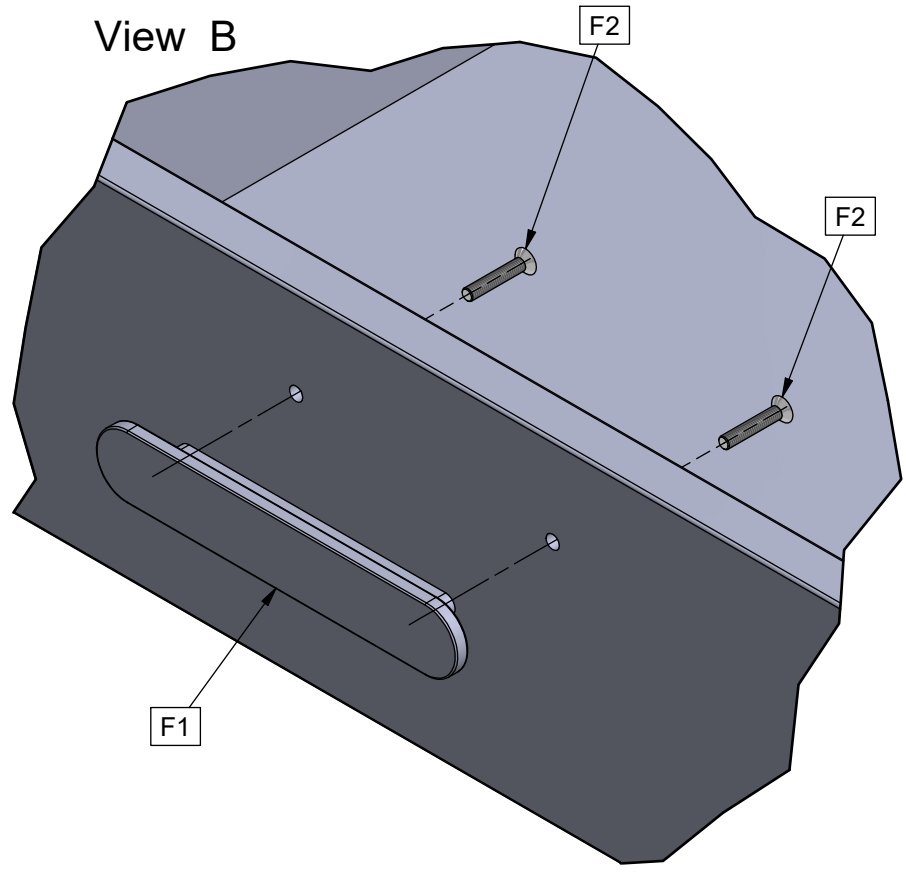
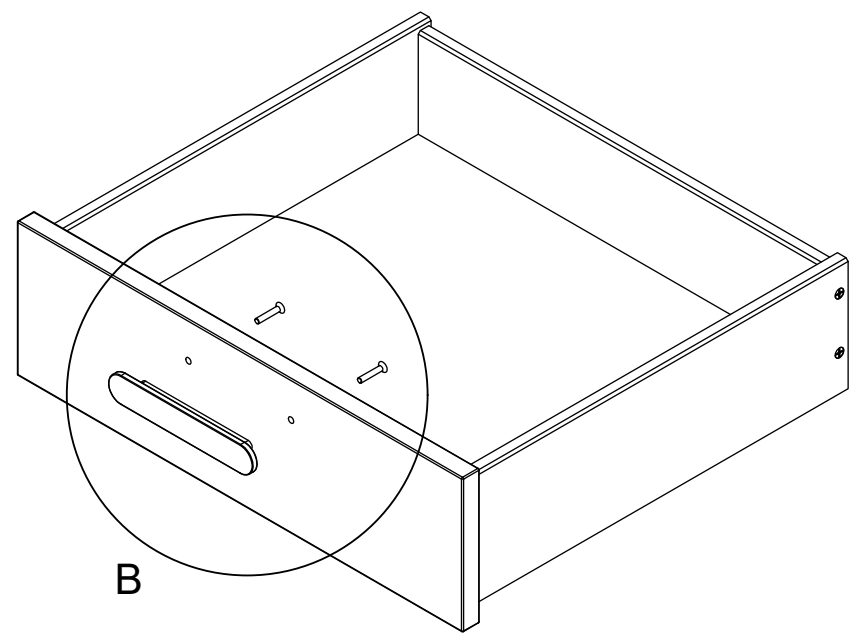
F11L x 1  
(6408650)



F11R x 1  
(6408650)

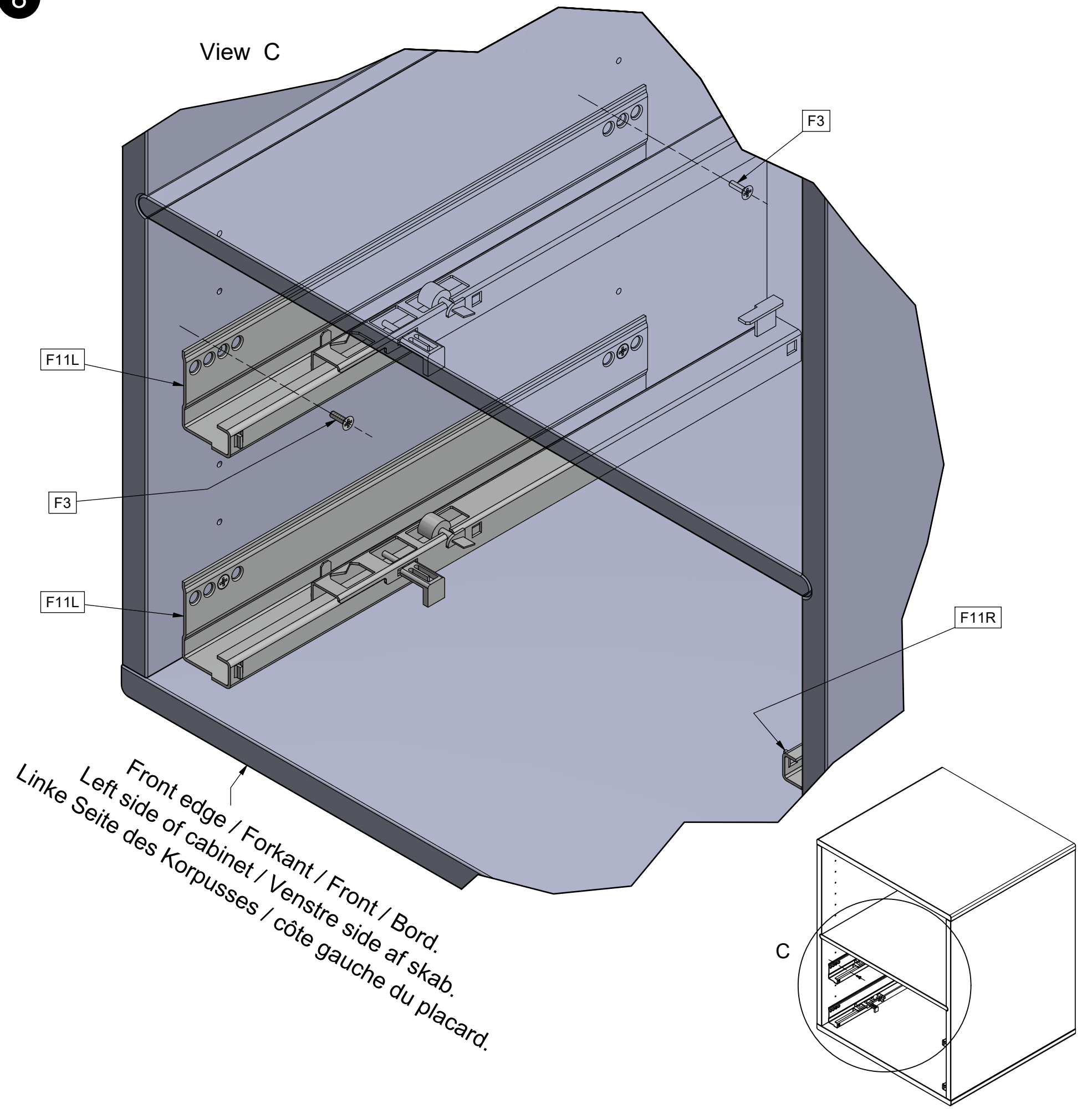


7



8

View C



Front edge / Forkant / Front / Bord.  
 Left side of cabinet / Venstre side af skab.  
 Linke Seite des Korpusses / côté gauche du placard.

View D

