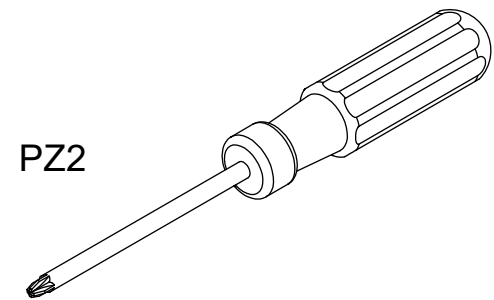




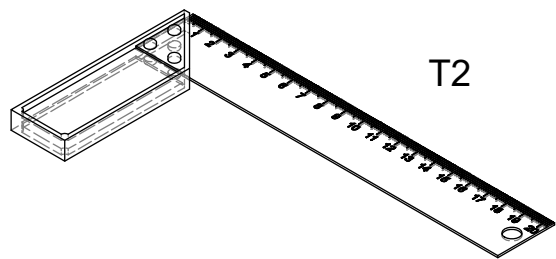
KEEP
byhammel

M50

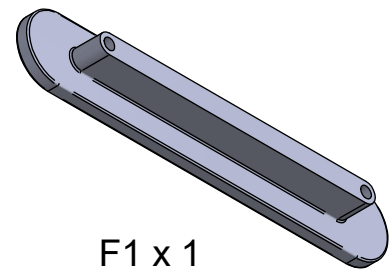
**Skuffer / Drawers /
Schubladen / Tiroirs**



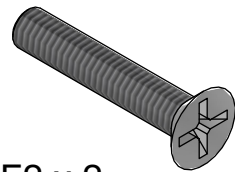
PZ2



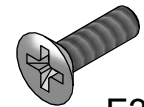
T2



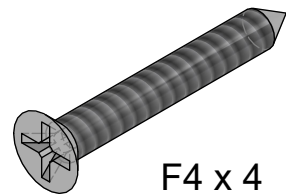
F1 x 1
(4005361)



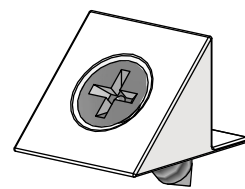
F2 x 2
(6704422)



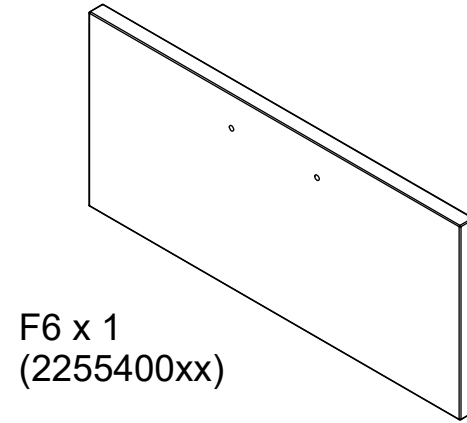
F3 x 4
(6700502)



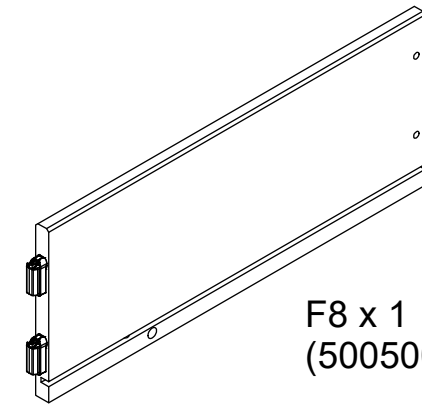
F4 x 4
(6500330)



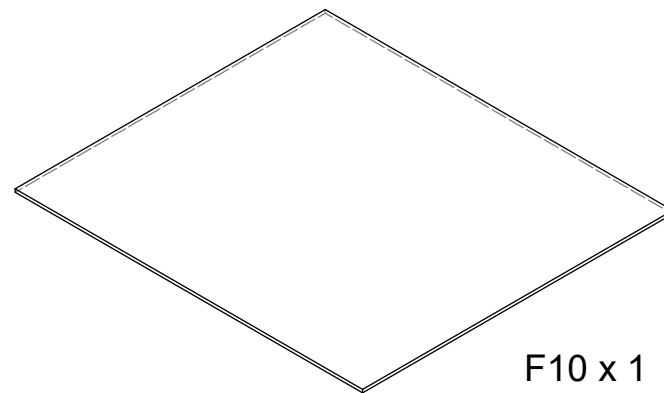
F5 x 4
(6201020)



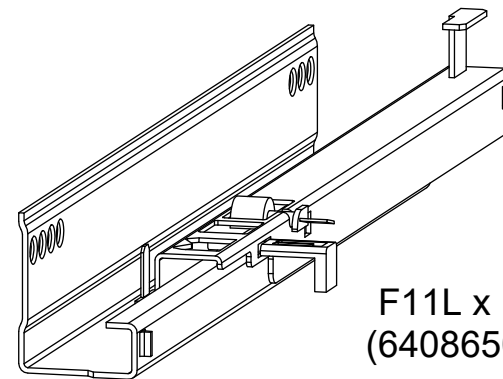
F6 x 1
(2255400xx)



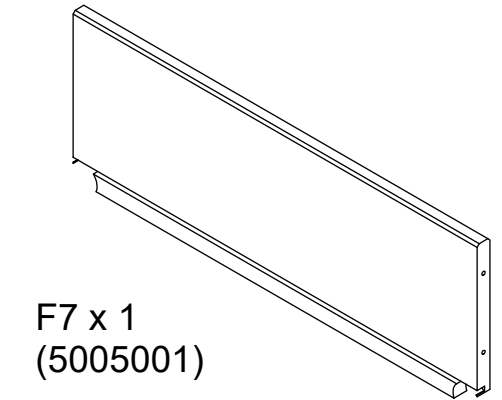
F8 x 1
(5005007)



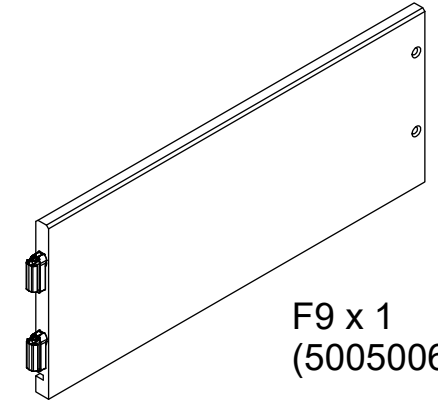
F10 x 1
(1503211)



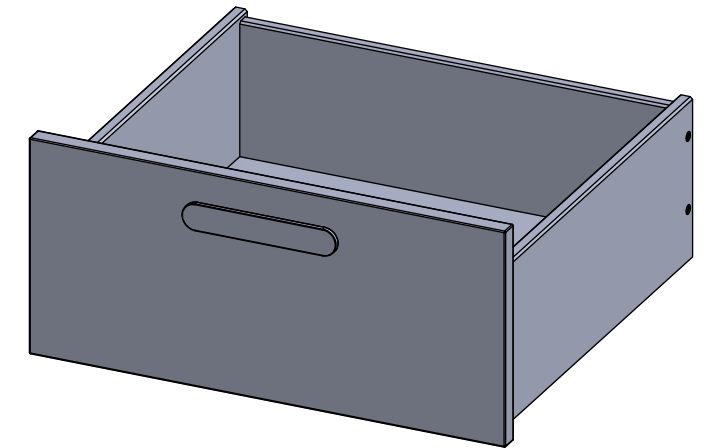
F11L x 1
(6408650)



F7 x 1
(5005001)

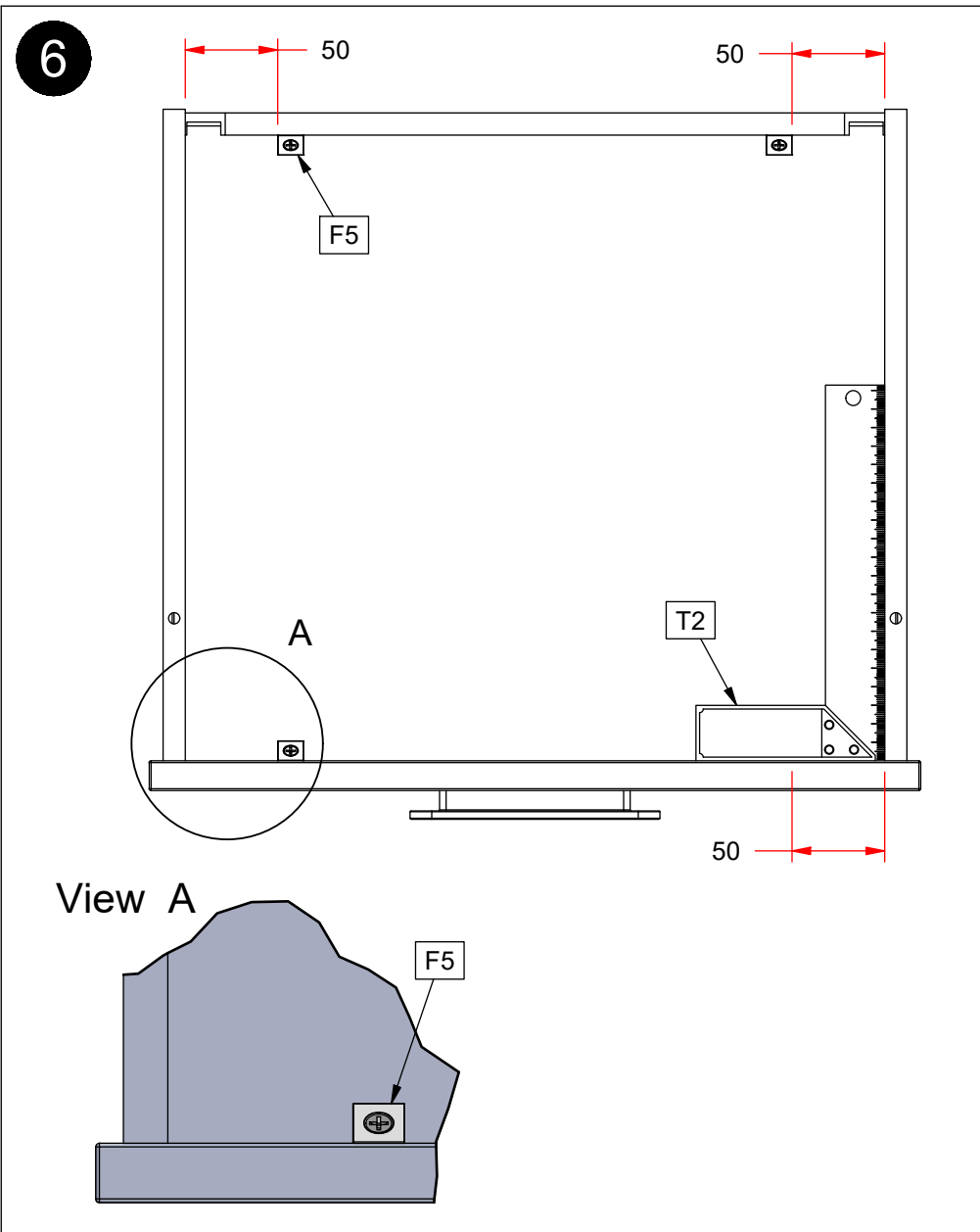
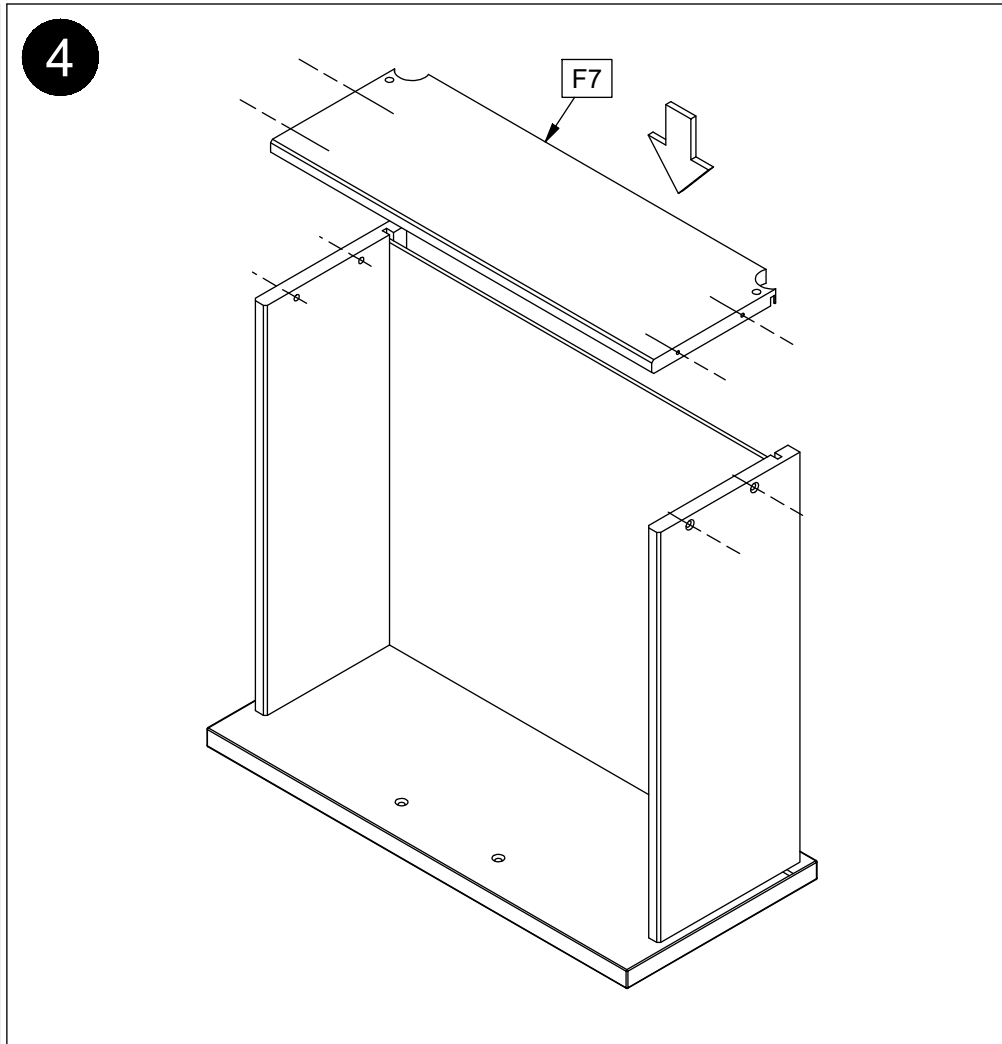
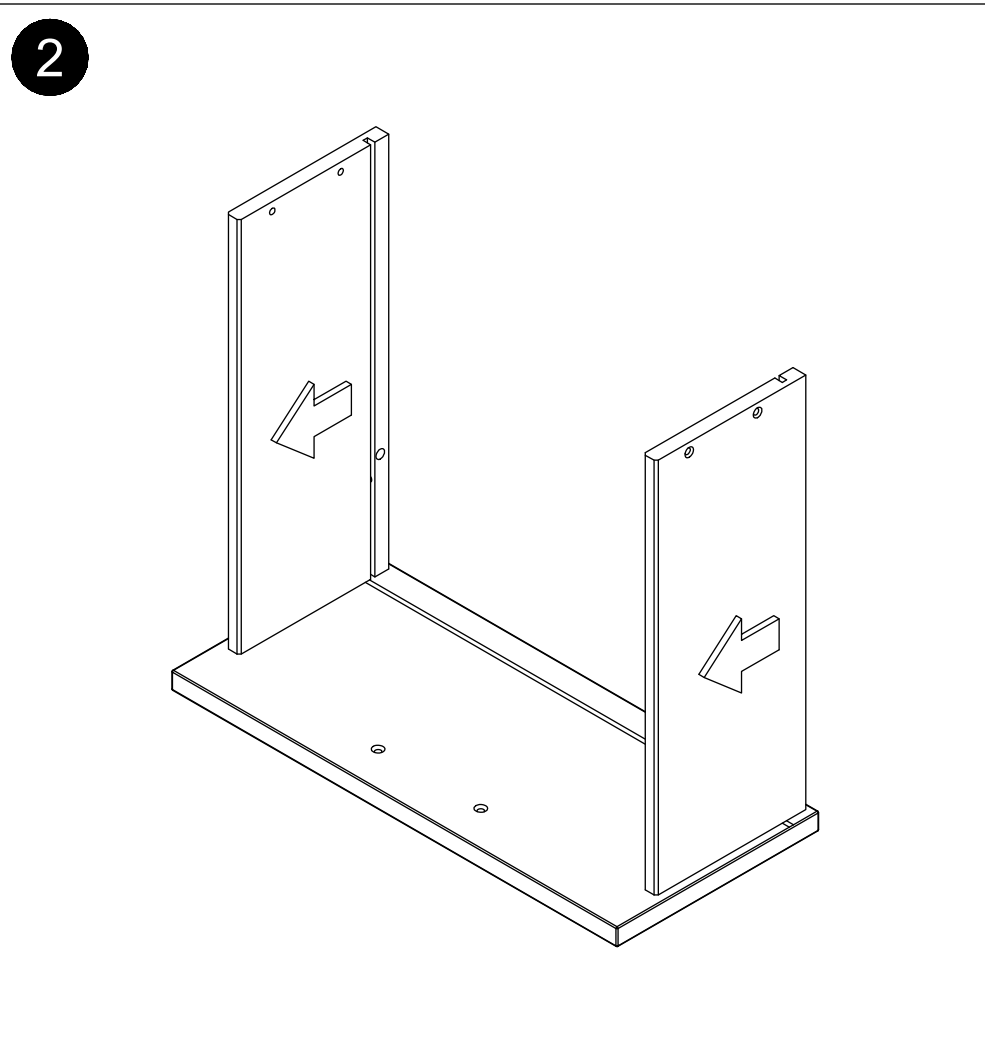
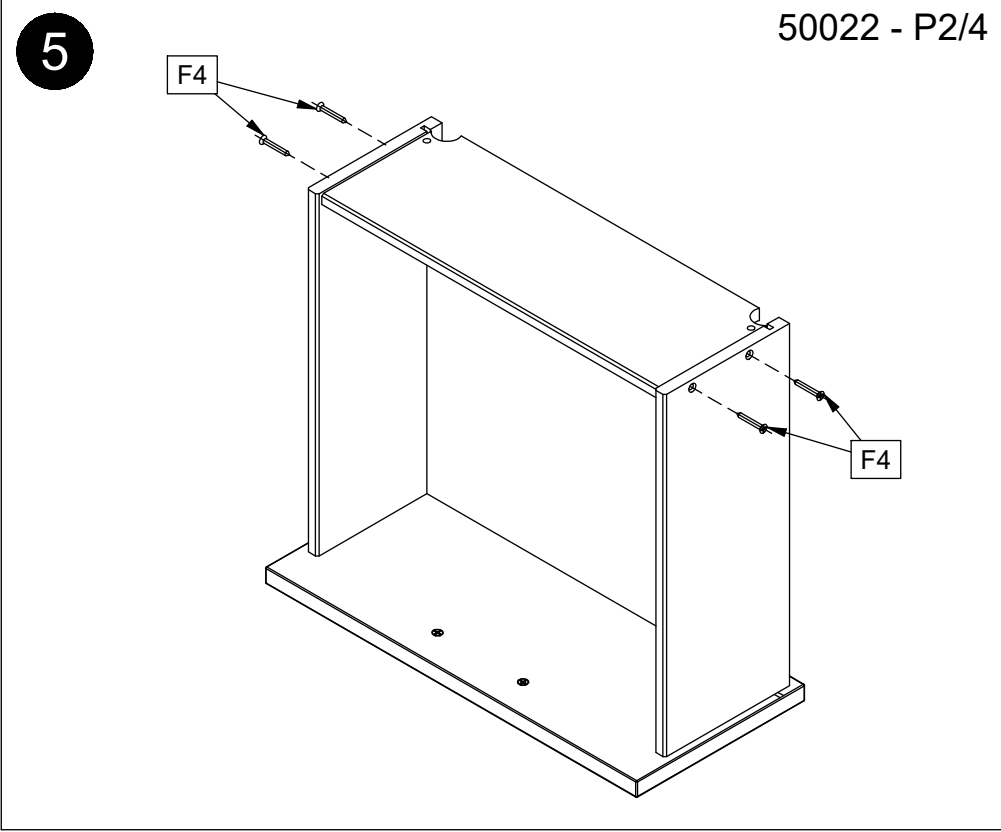
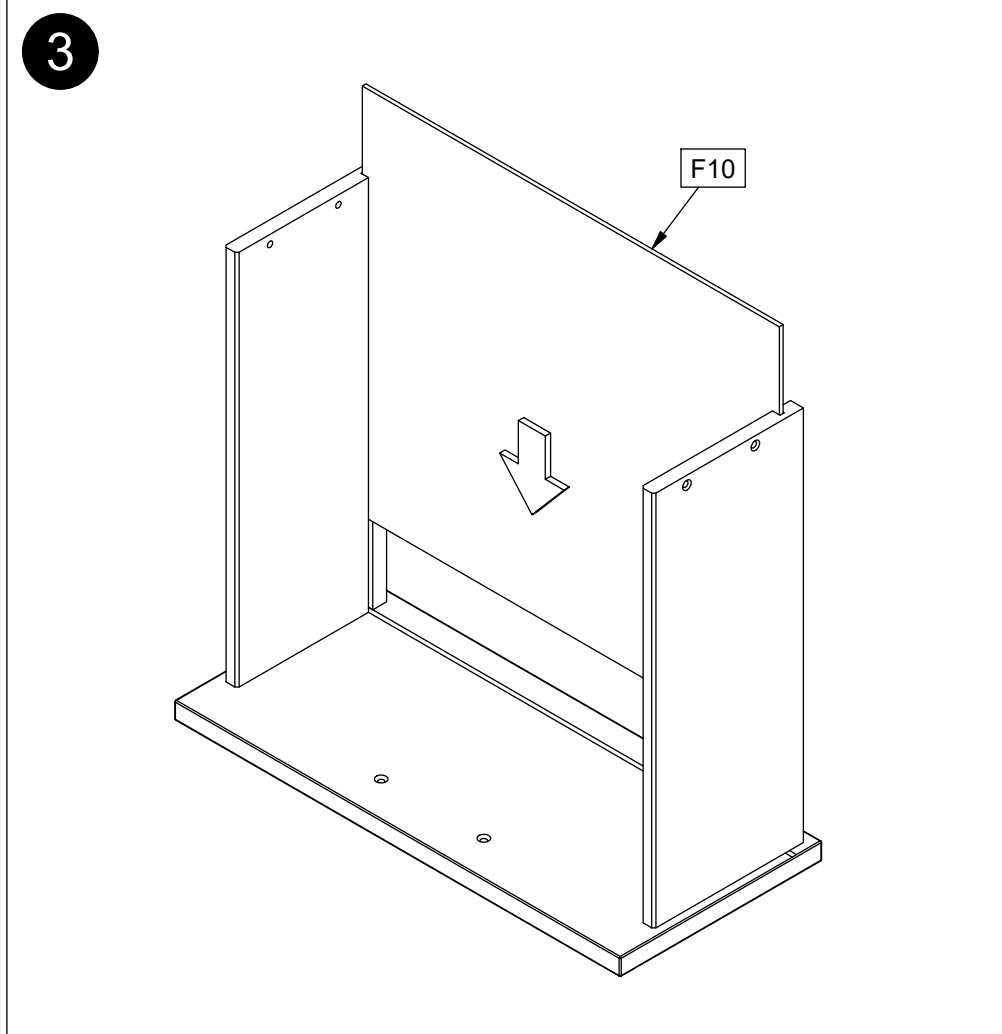
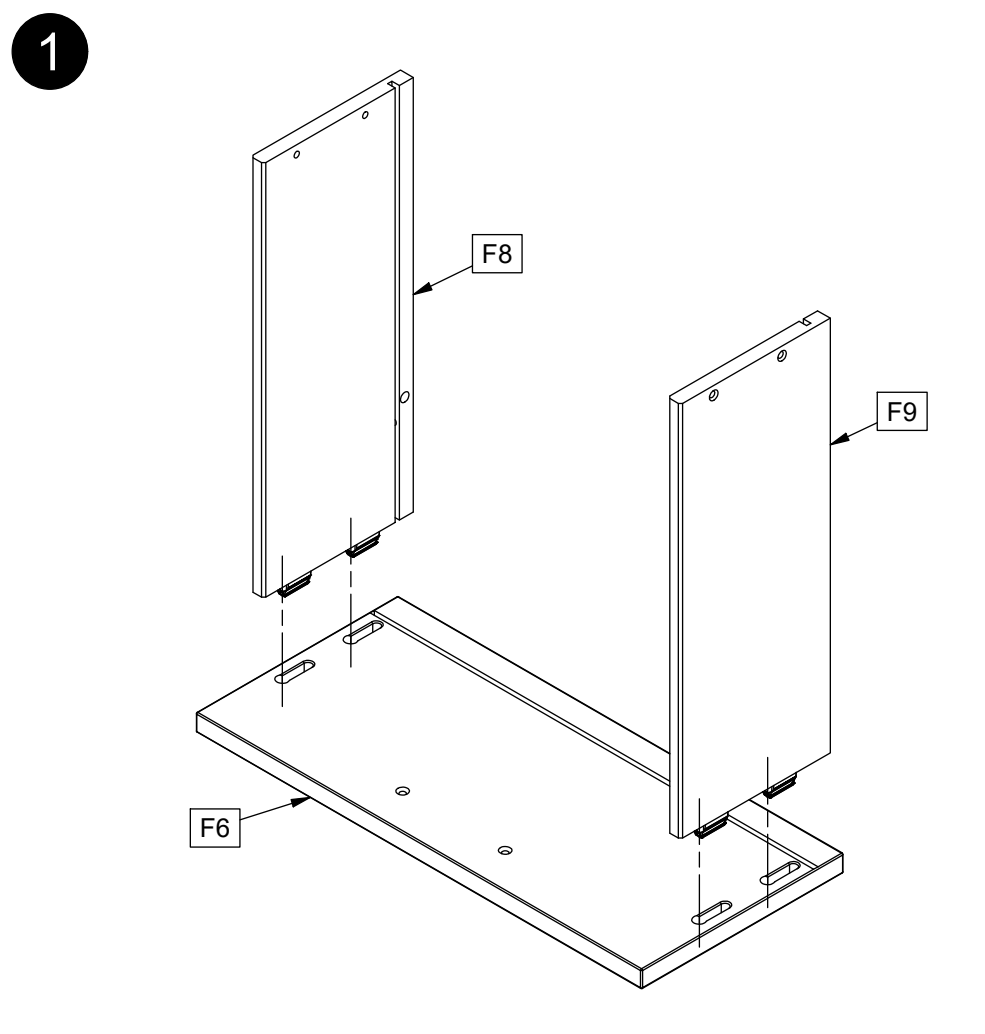


F9 x 1
(5005006)

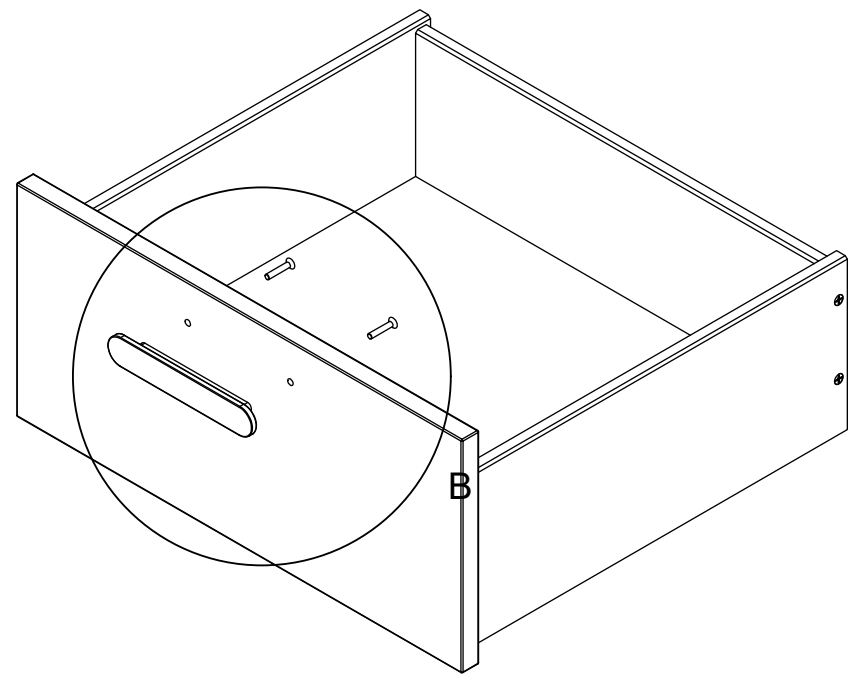


F11R x 1
(6408650)

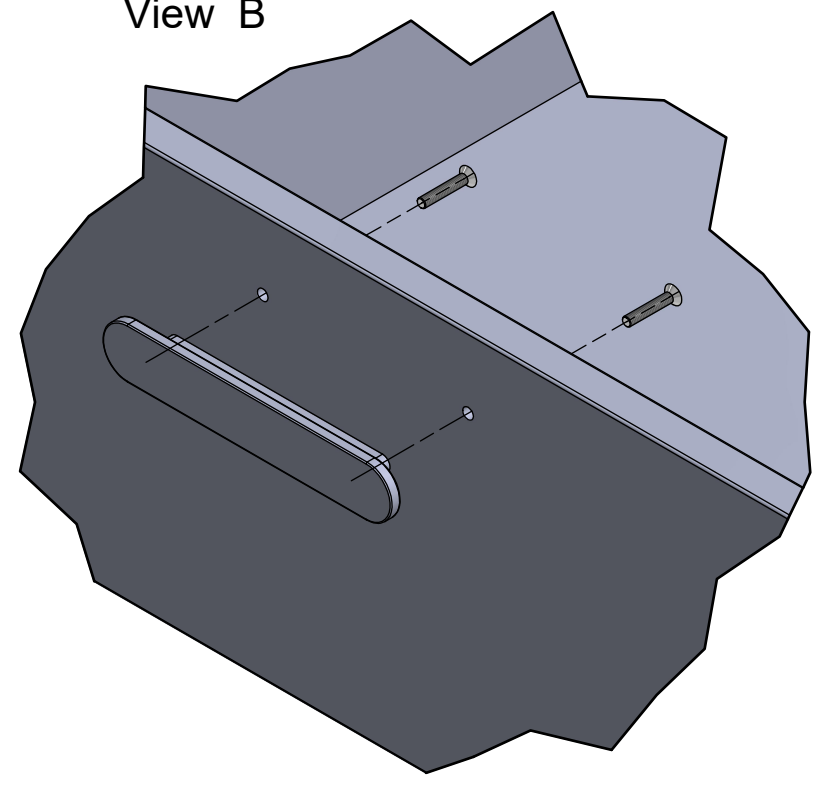
50022 - P1/4



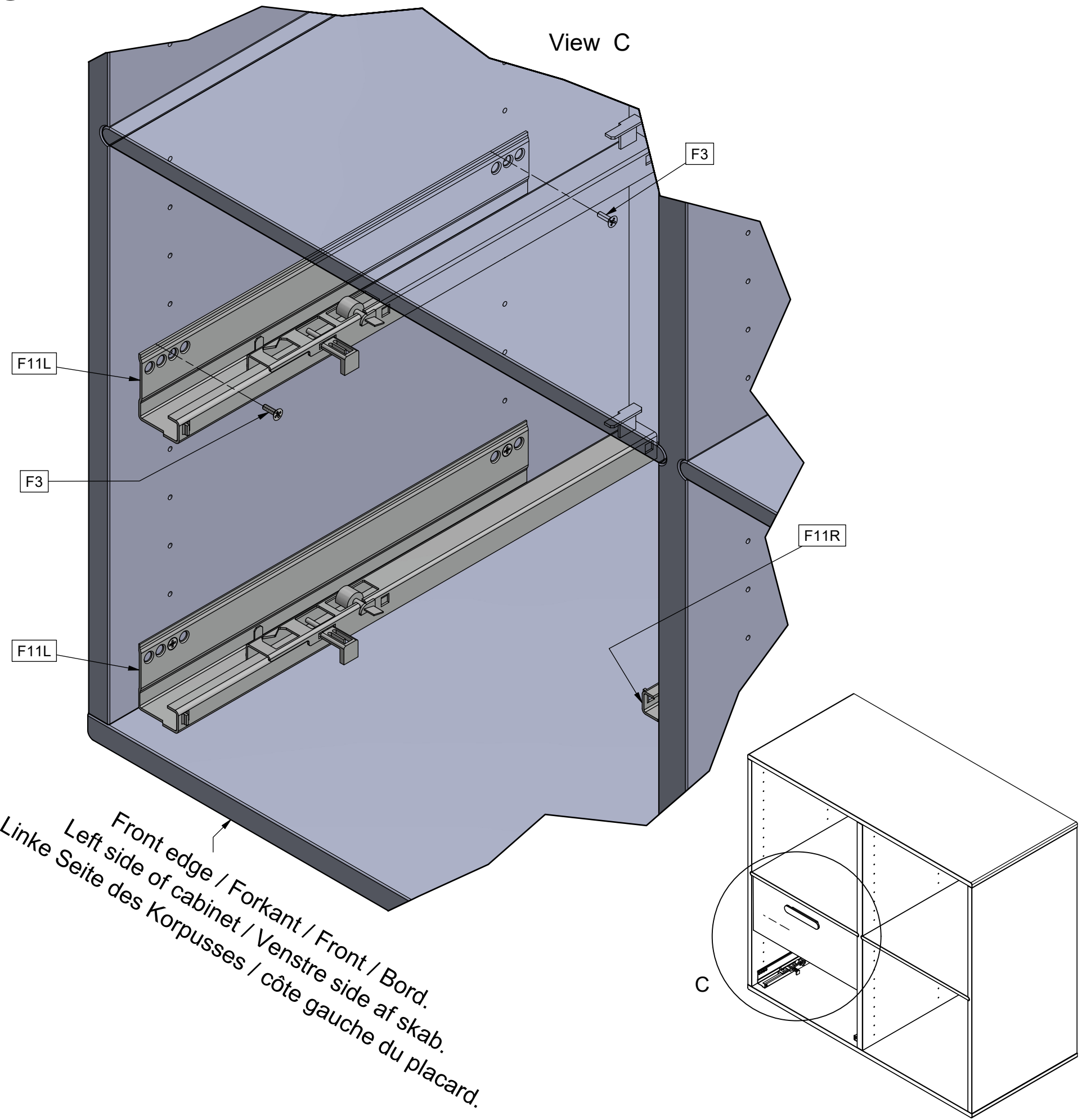
7



View B



8



View C

Front edge / Forkant / Front / Bord.
Left side of cabinet / Venstre side af skab.
Linke Seite des Korpusses / côté gauche du placard.

C

View D

